

Q2/2024 PARTS PROMOTIONS

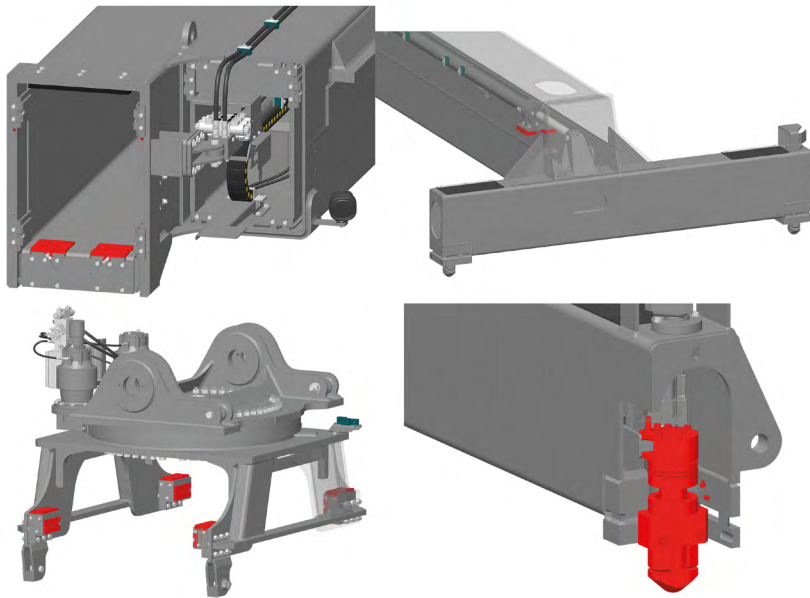
It's all about Productivity



Avoid unexpected service breaks

A few things affect productivity as much as unexpected service breaks.

With Konecranes Spreader kit 5000, the risk of twistlocks break is minimized by scheduling spreader maintenance every 5,000 hours, reducing downtime related to spreader faults and ensuring safe container handling.



Spreader kit 5000

Four twistlocks kits are part of the package together with the necessary wear pads.

Plan your spreader maintenance every 5,000 hours and avoid accidents due to twistlocks fatigue, reduce risk of machine stop for a single wear pad replacement and have the right parts ready in stock to minimize downtime as much as possible.

How to order

Send the lift truck's serial number(s) to your Konecranes Lift Trucks distributor to get the offer of the complete package with a **20% extra discount** for orders placed within June 2024.

PARTS PROMOTIONS

Lifetime Advantage parts promotions encourage you to stock up on genuine Konecranes parts to ensure the maximum reliability and performance of your Konecranes lift trucks. Designed for Konecranes equipment, they can be guaranteed to meet or exceed all required standards.

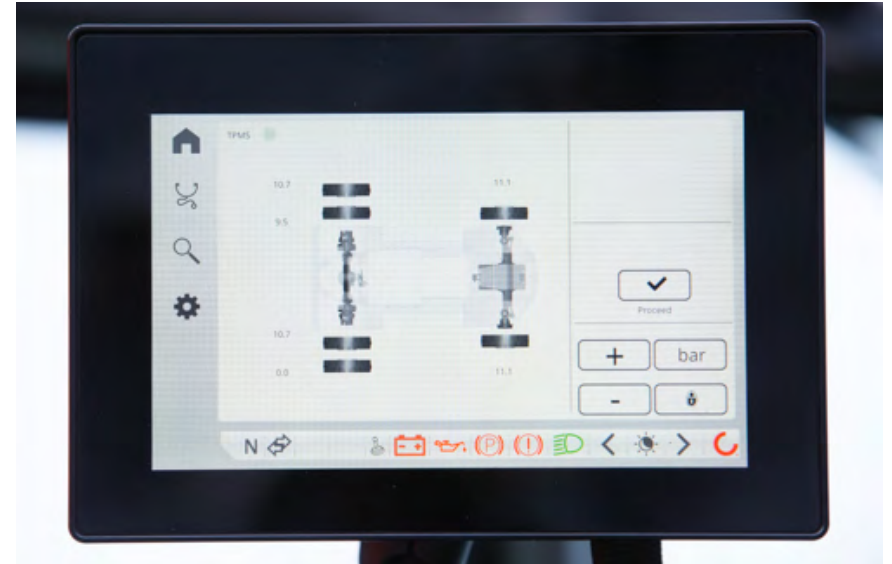
[Order now](#)

Ensure your Control System is up-to-date

Did you know that the MDL2 electronic control unit has become obsolete and is no longer supplied nor updated?

It's well-known that repairing old electronic control units is difficult, time consuming and wasting and sometimes not even 100% reliable.

Hence, it's time to ensure you have a safe and reliable Control System mounted on your Konecranes lift truck(s).



Control System update MDL2 to MD4

We have developed a solution to easily replace the MDL2 with the new and up-to-date MD4 control unit with an MD4 module (state-of-the-art of Lift Trucks Control Systems).

You can get all the benefits from a modern Control System, with a new software and easy available parts.

How to order

Send the lift truck's serial number(s)* to your Konecranes Lift Trucks distributor to get an offer with a **10% extra discount** for orders placed within June 2024.

[Order now](#)

GET YOUR LIFETIME ADVANTAGE

After you purchase a Konecranes lift truck, we offer you far more than just after-sales service. You can get resources for truck maintenance, fleet management, investment growth and safety enhancements, all backed up by a dependable support network. Because this is available to you for the entire life cycle of your equipment, we call it the Konecranes Lifetime Advantage. It's a better experience.

Optimize your lift truck operation time

Whatever is reducing maintenance time and costs is more than welcome, right? Then why not getting the main lift truck greasing points automatically lubricated? Konecranes Automatic Greasing System is a direct line of lubrication available for a wide range of Konecranes lift trucks.



Automatic greasing system

Avoid the risk of missing greasing points that might result into undesired mechanical blocking of any joint.

If your lift truck was not ordered with automatic greasing since the very beginning, no worries. You have the chance to buy a retrofit kit at a very special price.

How to order

Send the lift truck's serial number(s) to your Konecranes Lift Trucks distributor to get an offer of the complete package with a **20% extra discount** for orders placed within June 2024.

[Order now](#)




Contact us

Contact your closest Konecranes Lift Trucks distributor and place your order within the end **June 2024** to benefit of an extra discount* on the campaign parts.

Send the lift truck's serial number(s) to your Konecranes Lift Trucks distributor to get the complete offer of the each package.

*discount applied only on day orders and not cumulated with other ongoing offers/discounts

[Order now](#)

© 2024 Konecranes. All rights reserved. 'Konecranes', 'Moves what matters' and  are either registered trademarks or trademarks of Konecranes.

This publication is for general informational purposes only. Konecranes reserves the right at any time, without notice, to alter or discontinue the products and/or specifications referenced herein. This publication creates no warranty on the part of Konecranes, express or implied, including but not limited to any implied warranty or merchantability or fitness for a particular purpose.